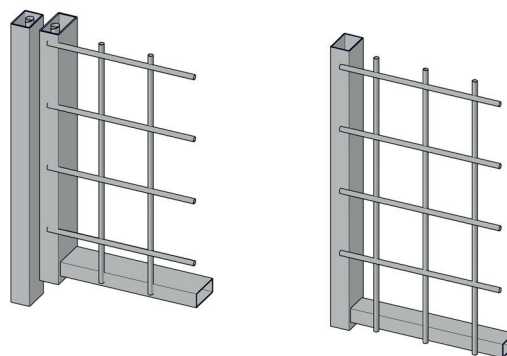


Product information

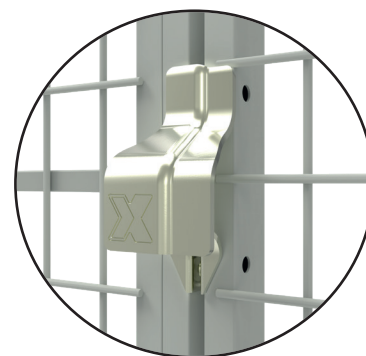
» Storeroom wall type FK+



STOREROOM WALL FK+ · SCANDINAVIA'S MOST SAFE

Axelent FK+ storeroom system now has confirmation that it can handle even the toughest challenges through testing and approval by SSF. For FK+, we have incorporated reinforced hinges, lock fittings, doors and walls. Peace of mind signed Axelent!

When you set high demands on safety and stability



Did you know that ...

- With extra robust tubular construction in both doors and walls.
- With extra reinforced hinges and lock fittings.
- Can be cut to suit existing construction.
- We have the ability to build topsection/roof.
- The walls are painted in RAL 9018.
- Accessories, see homepage.
- Tested and approved according to SSF's norm burglary resistant storage room fittings.

Storeroom wall F, FK and FP is available as an option, if you wish, contact customer support for update offer!

All our systems can be combined!

PRODUCT DESCRIPTION – FK+

Material & design	Dimensions (mm)
Tubular steel frame, wall	
Vertical tubes	30x20
Horizontal tubes	25x15
Tubular steel frame, door	
Vertical tubes	40x20
Horizontal tubes	35x15
Steel mesh	
Vertical wires	Ø 5.0
Horizontal wires	Ø 5.0
Dimensions	50x65
Door opening dimensions	
45-4225750(1)	2000x710
45-4225900(1)	2000x860