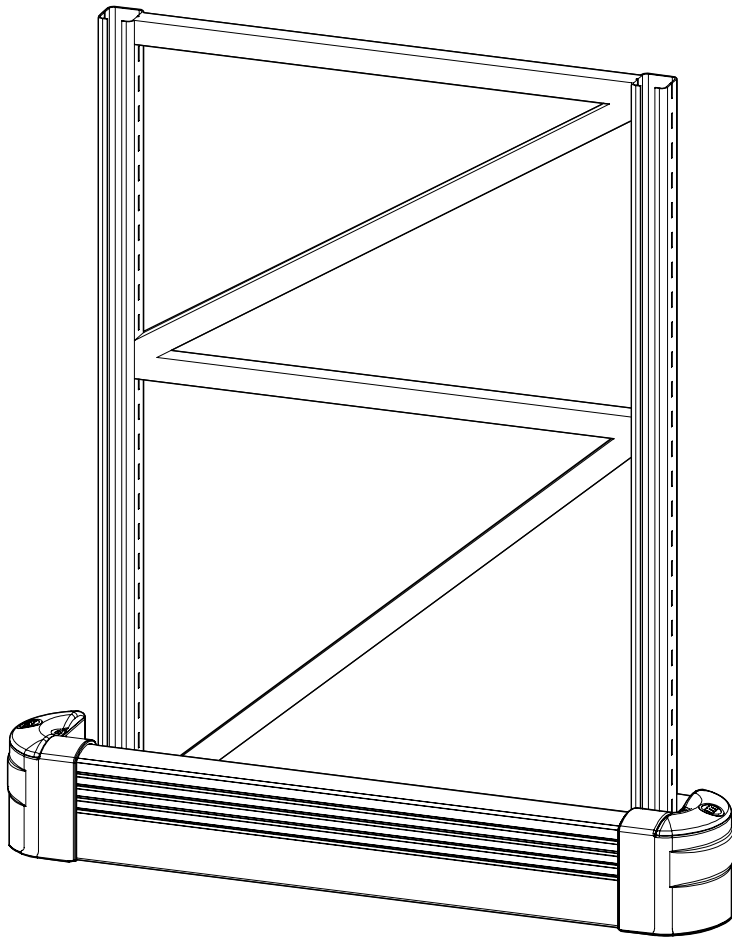
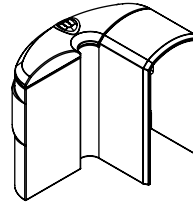


Axellent Assembly instructions

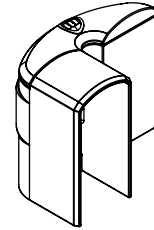
» Rack End Protector



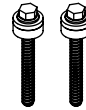
Components



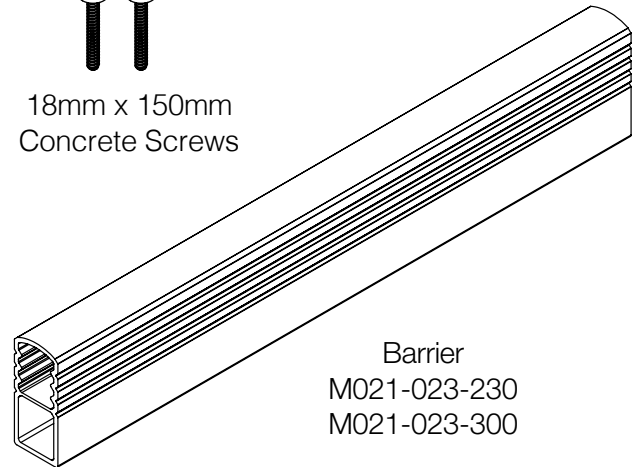
Rack End
Right Leg
M046-000-000R



Rack End
Left Leg
M046-000-000L



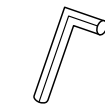
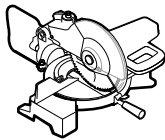
18mm x 150mm
Concrete Screws



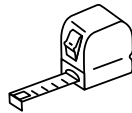
Barrier
M021-023-230
M021-023-300

*Some components included within "M" bundles.

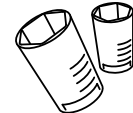
Tools required



5mm



16mm



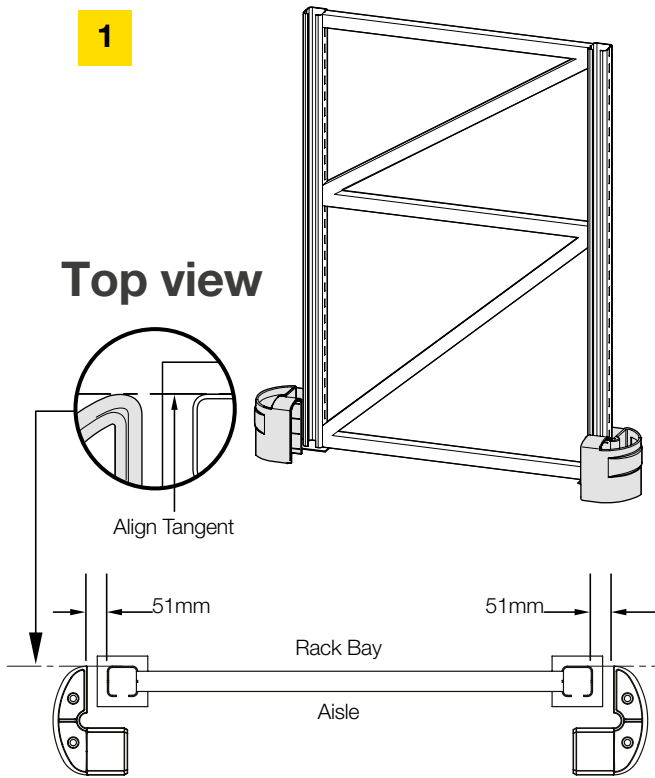
27mm



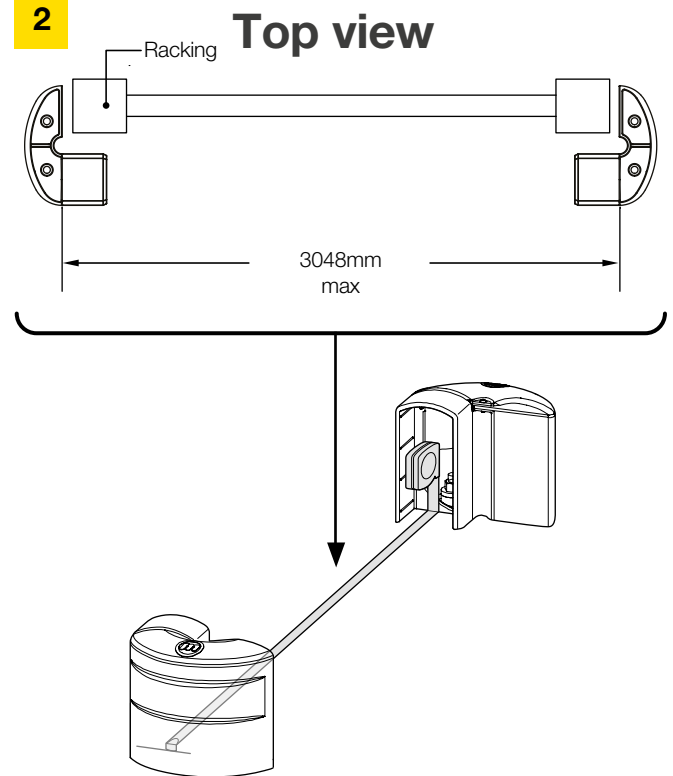
Axellent Assembly instructions

» Rack End Protector

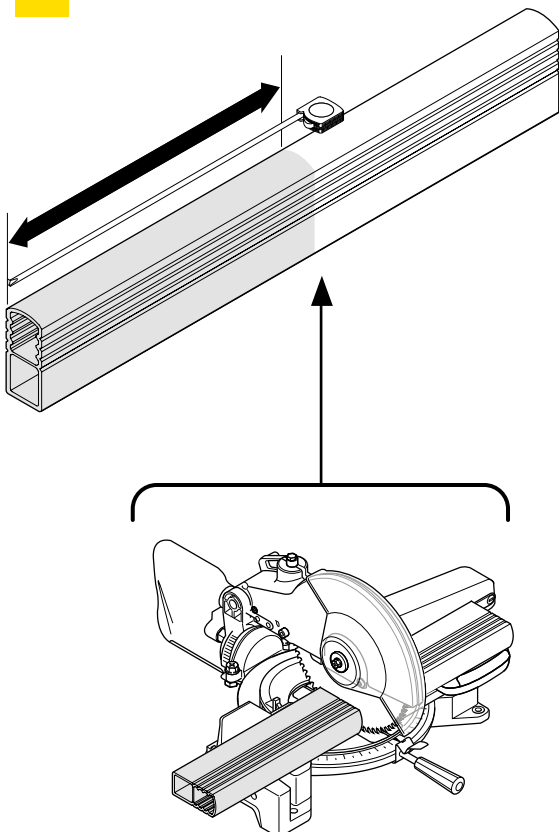
1



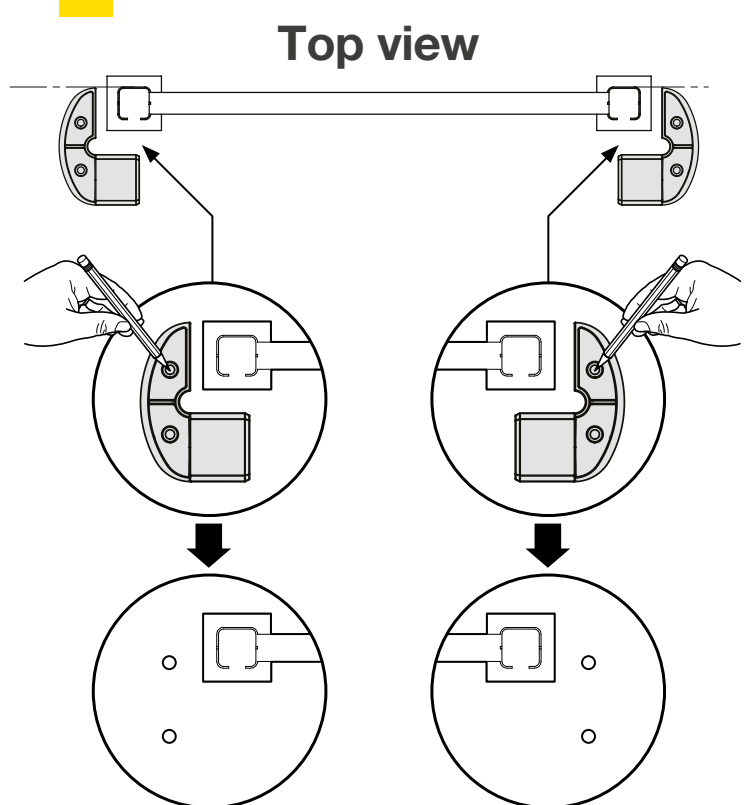
2



3



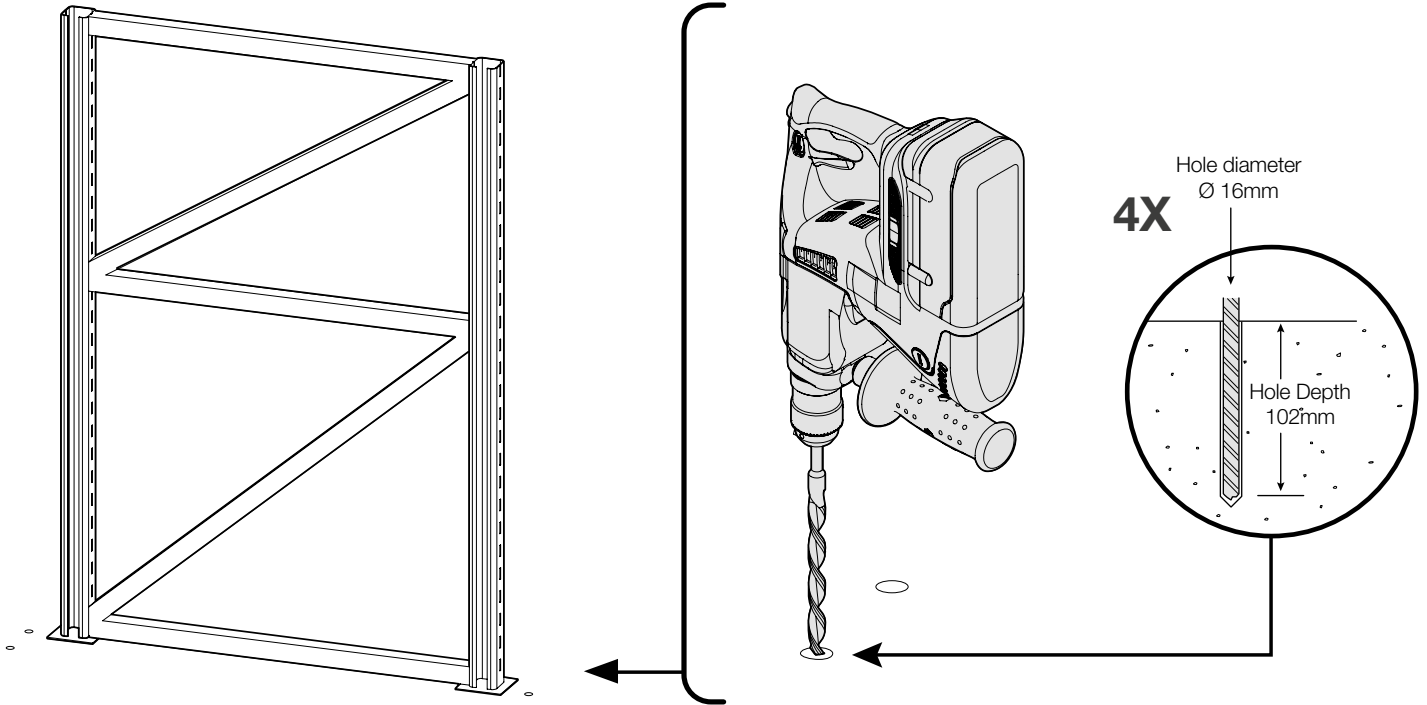
4



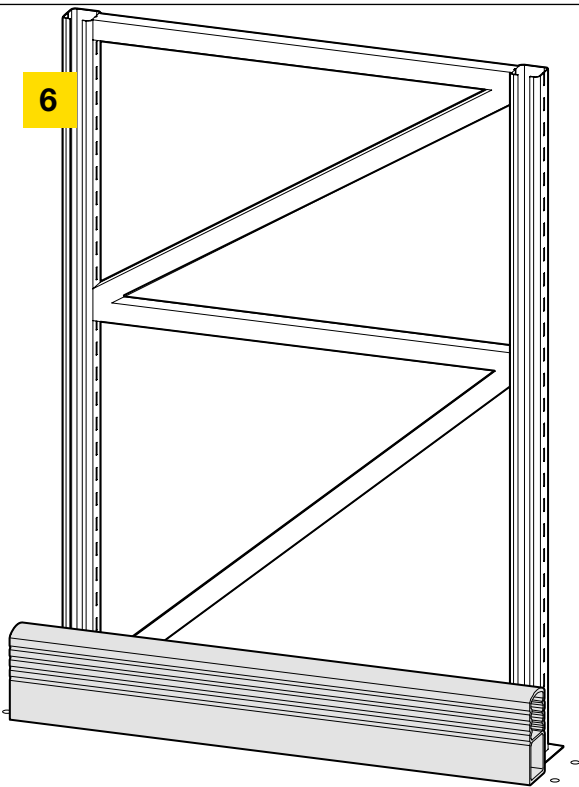
Axelent Assembly instructions

» Rack End Protector

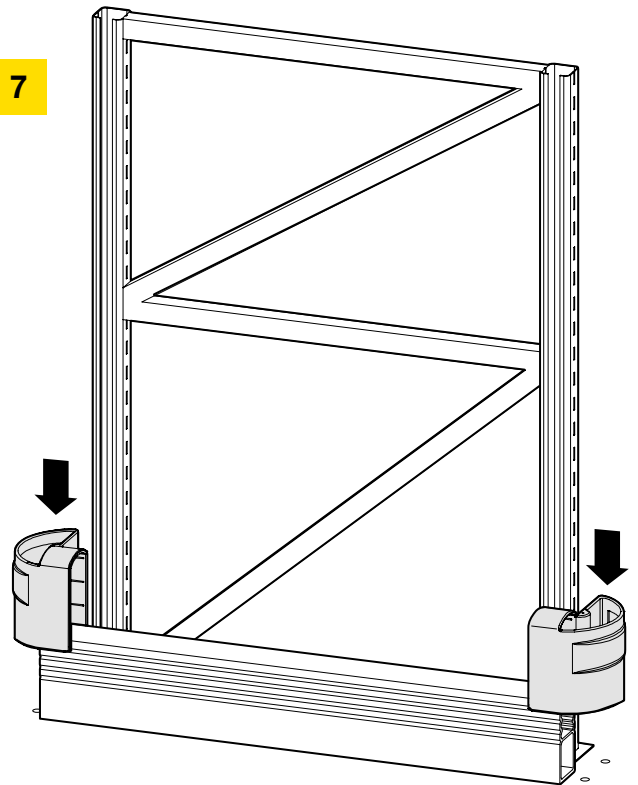
5



6

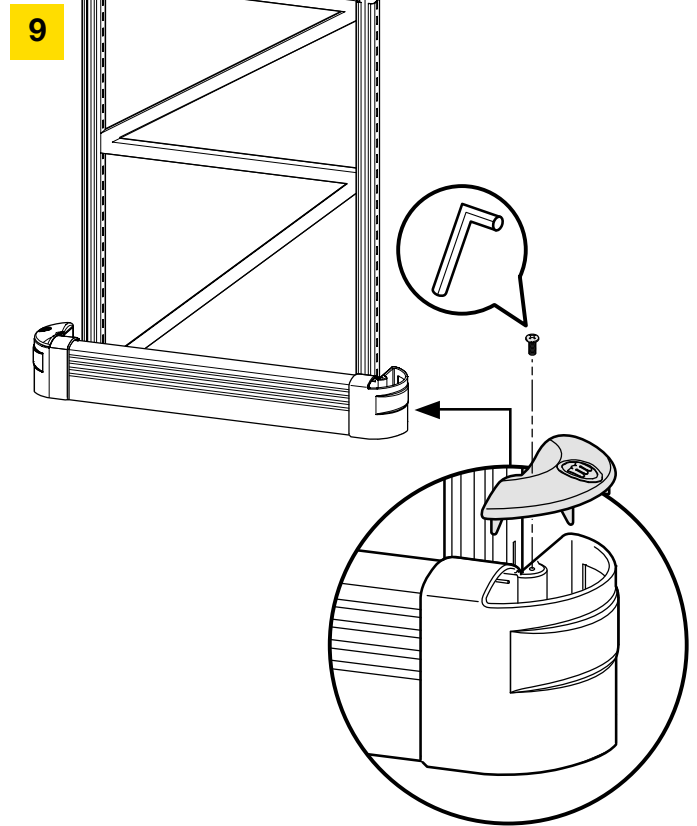
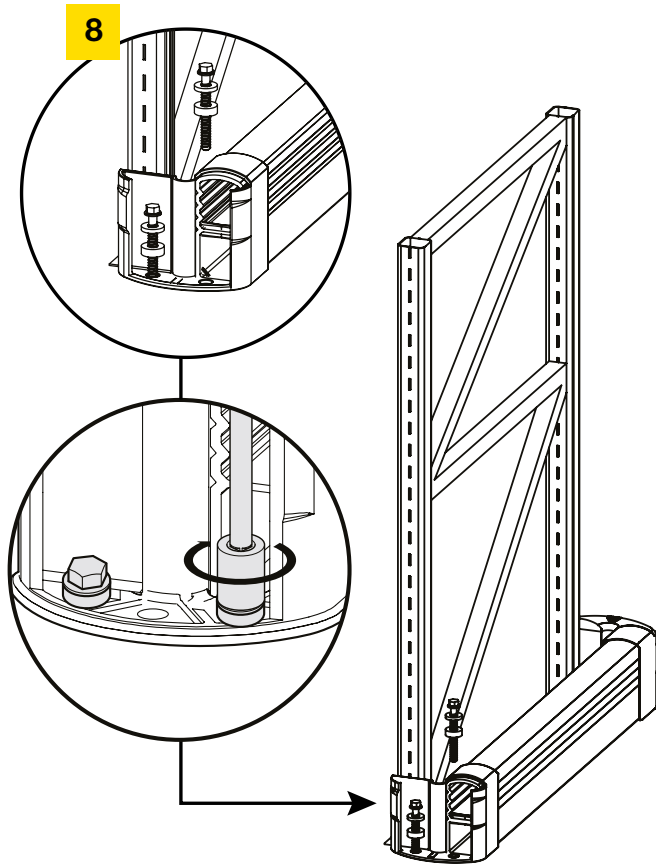


7



Axellent Assembly instructions

» Rack End Protector



10

